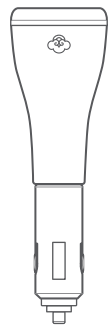


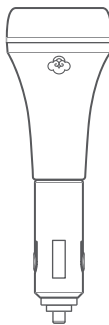
Car Scent Diffuser

- This instruction is suitable for both Duke and Saber.



Duke

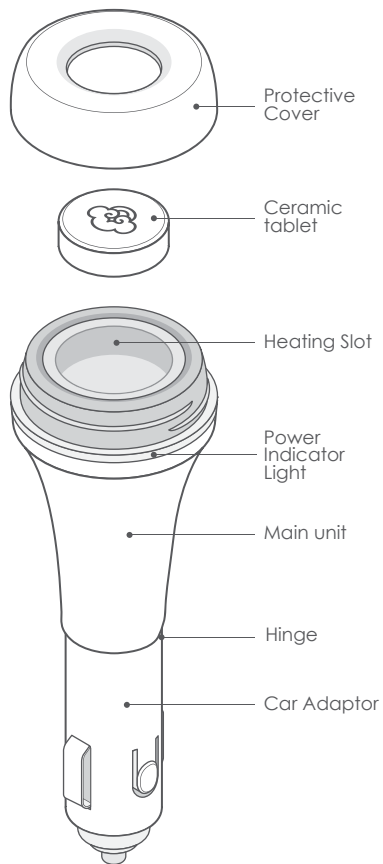
Inspired by the majestic designs, the Duke Car Scent Diffuser unleash the fragrance to enhance your journey.



Saber

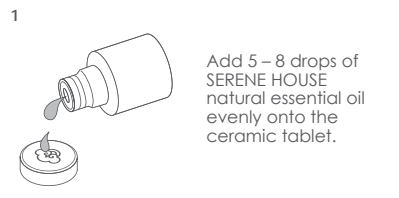
Inspired by the Legendary Saber, let the sword shaped Car Scent Diffuser refresh your car during your journey.

Product & Accessories

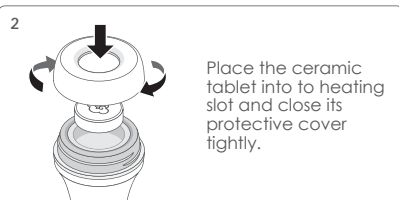


Operating Instructions

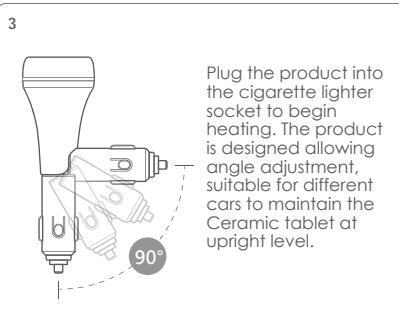
- Please remove all packaging before use.



Add 5 – 8 drops of SERENE HOUSE natural essential oil evenly onto the ceramic tablet.



Place the ceramic tablet into to heating slot and close its protective cover tightly.



Plug the product into the cigarette lighter socket to begin heating. The product is designed allowing angle adjustment, suitable for different cars to maintain the Ceramic tablet at upright level.

Caution:

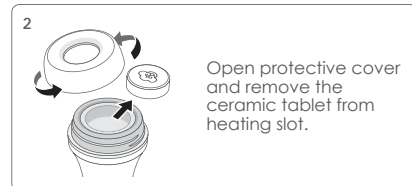
1. Use the ceramic tablet included with your purchase. For best result, we recommend that you use SERENE HOUSE 100% natural essential oil with this scent diffuser.
2. Always unplug the product from cigarette lighter socket when not in use.

Cleaning & Maintenance

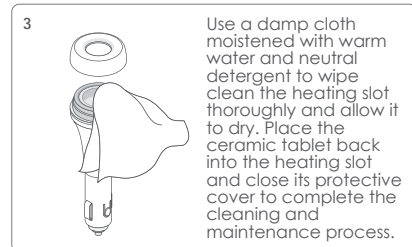
- Always unplug the product from its power source prior to cleaning & maintenance.
- The ceramic tablet is a consumable item and must be replaced with a new ceramic tablet when its absorbance weakens (Ceramic tablet refill packs are sold separately, please visit www.serenehouse.com for more information on the distribution near you).
- Regular cleaning and maintenance is required after each use.



Remove from cigarette lighter socket.



Open protective cover and remove the ceramic tablet from heating slot.



Use a damp cloth moistened with warm water and neutral detergent to wipe clean the heating slot thoroughly and allow it to dry. Place the ceramic tablet back into the heating slot and close its protective cover to complete the cleaning and maintenance process.

Precautions for Product Cleaning & Maintenance:

- Allow to dry thoroughly before use.
- Never soak or wash this product directly as it may cause mechanical malfunction or danger.
- Never use acidic cleansing agents as it may cause malfunctions to the product.

Specifications

Duke

Model code : 131206001 White / 131206002 Black
Suggested space size : For use in standard automobiles
Power input : DC12V / 0.6A
Product size : Ø 4.10 cm x 13.55 cm H
(Ø 1 5/8" in x 5 3/8" in H)

Main unit weight : 64 g ± 5 % (2.26 oz ± 5 %)
Operation mode : Thermal Controlled Heating
Accessories ncluded : Ceramic tablet, Warranty card.
Designer : Fen-Ju Lin
Design supervised by : Carsten Jörgensen
Design : Taiwan
Made in China

Saber

Model code : 131206003 White / 131206004 Black
Suggested space size : For use in standard automobiles
Power input : DC12V / 0.6A
Product size : Ø 4.38 cm x 13.25 cm H
(Ø 1 7/8" in x 5 1/4" in H)

Main unit weight : 67 g ± 5 % (2.36 oz ± 5 %)
Operation mode : Thermal Controlled Heating
Accessories ncluded : Ceramic tablet, Warranty card.
Designer : Fen-Ju Lin
Design supervised by : Carsten Jörgensen
Design : Taiwan
Made in China

Patent Product



Precautions for Use:

- Read the instruction manual before using this product.
- Be sure to handle this product with care to avoid impacts or drops.
- If you have any special physical conditions, such as pregnancy, lung failure, cancer, epilepsy, or other illnesses, please consult your doctor before using essential oils. Stop using the product and open the windows for ventilation if you start to feel uncomfortable.

Precautions for Use of Ceramic tablet





- Use of SERENE HOUSE 100% natural essential oils is recommended.
- Be sure to use a different ceramic tablet with each different essential oil.
- Please do not store essential oils in automobiles with high in-car temperatures and sun exposure.
- Essential oils are highly concentrated and should always be handled with care, including the amount for each use.
- Please avoid dripping the essential oil onto the exterior of the product or onto furniture. If essential oil dripping accidentally occurs, wipe off immediately to avoid discoloration of the exterior of the product or the furniture.
- Keep away from children and pets to avoid accidental ingestion.
- The ceramic tablet is not food. Please do not ingest.


Safety Precautions

For safety, please be sure to comply with the following instructions :

- The precautions listed in this manual are to ensure safe and proper use of this product by the user, and to avoid any danger or loss that might occur to the user or others.
- "WARNING" contains important safety instructions. Be sure to follow these instructions.

WARNING

-  • Stop using the product immediately and unplug the device once smoke, smell, unusual sounds or other anomalies occur.
-  • Do not modify, fix, or dismantle this product, as fire, electric shock, or damage may occur.
-  • When the product is at the end of its life, we recommend disposal at a collection point for the recycling of electrical and electronic equipment, rather than with household waste. The symbols on the product, instruction manual and packaging allow for proper sorting and disposal.
-  • This product must be disconnected from the power source when not in use or before cleaning and maintenance.
- After the power source is removed from the main unit, only remove the ceramic tablet for cleaning and maintenance after it has cooled completely.
- Please avoid dripping the essential oil onto the exterior of the product or onto furniture. If essential oil dripping accidentally occurs, wipe off immediately to avoid discoloration of the exterior of the product or the furniture.
- To avoid product faulty or potential injuries, Do Not manually alter any parts of the product.

-  • Stop using the product if it is damaged or ruptured due to impact from an accidental drop.
- When the heating slot does not contain a ceramic tablet, please do not connect a power source. Otherwise product malfunction may occur.
- Do not handle the main unit and outlet with wet hands, or let water or other liquids spill onto them, as this may result in electric shocks.
- Do not touch or insert other foreign objects into the heating slot during use. Otherwise injury or product malfunction may occur.
- This product is not a toy. Do not let children use this product. Keep out of reach of children as electric shock and injury may occur. Children should be properly supervised to ensure that they will not play with this product at all times.
- To avoid fire, electric shock, injury or damage, do not place the product in the areas listed below :
 - Environments exposed to direct sunlight to high temperatures, and keep away from sources of ignition.
 - Pressurized objects and combustibles.

Troubleshooting

If you experienced unsatisfactory operations, please follow our troubleshooting guidelines listed below.

Machine does not operate

- Car adaptor is not securely connected to the automobile cigarette lighter socket
 - Please ensure car adaptor is correctly inserted into the automobile cigarette lighter socket.
- Car adaptor has been securely connected but product still does not function properly
 - Please check if the cigarette lighter socket is functioning correctly.

Poor Fragrance Emission

- Using other brands of essential oils
 - For best performance, we recommend using SERENE HOUSE essential oils.
- Too little essential oil in the ceramic tablet
 - Consider adding more oil according to personal preference.
- The ceramic tablet cannot absorb the essential oil
 - Please replace with a new ceramic tablet.
- Heating slot is dirty
 - Perform maintenance according to the "Cleaning & Maintenance" section of this manual.

Do not attempt to dismantle or repair the product by yourself. If the unit still does not operate satisfactorily, please visit our website www.serenehouse.com, and click link "Support", or contact our customer service.

SERENE  HOUSE®

Instruction Manual



Car Scent Diffuser

Duke • Saber